



Skuttle®

Indoor Air Quality Products

Owner's Manual

**Home Humidifier
Models 2000, 2001
and 2002**

Includes Safety,
Operating and Main-
tenance Instructions
plus 5-Year Warranty

Page 1

**Manuel du
propriétaire
pour les modèles
d'humidificateurs
résidentiels 2000,
2001 et 2002**

Comprend les
consignes de
sécurité, d'opération
et d'entretien et une
garantie de 5 ans

Page 32

Manual de Operación

**para los Humidifica-
dores Residenciales
2000, 2001, y 2002**

Incluye instrucciones
de seguridad, opera-
ciones y manutención,
más garantía de 5 años

Página 16



Skuttle® Indoor Air Quality Products

101 Margaret St., Marietta, OH 45750

800-848-9786 (US only) or 740-373-9169

customerservice@skuttle.com • www.skuttle.com

ENGLISH

Contents

Congratulations	2
Experience that Works for You	2
Owner Responsibility	3
About Your Skuttle Humidifier	3
Principle of Operation	3
How Your Humidifier Works	3
Humidistat Operating Instructions	4
Recommended Humidistat Settings	5
Maintenance Instructions	5
How Water Hardness Affects Maintenance	5
Pad Cleaning and Replacement	5
Homeowner Tips	6
Replacement Parts and Service	7
Models 2000	8
Models 2001	10
Models 2002	12
Skuttle Limited Five-Year Product Warranty	14
Español	16
Français	32
Notes / Notas / Notes	48

See model number and contractor information
on the back of this booklet.

Congratulations

... on your purchase of a Skuttle High-Capacity Flow-Thru Humidifier—one of the finest home humidifiers made!



**Model 2000
Bypass Flow-Thru
Humidifiers**



**Model 2001
Bypass Flow-Thru
Humidifiers**



**Model 2002
Fan-Powered Flow-Thru
Humidifiers**

Models 2000, 2001 and 2002 come with manual humidistats.

Please take a few minutes to read this booklet. It will familiarize you with the many features and benefits of your new humidifier, and help you understand the routine maintenance that will ensure many years of efficient operation.

Experience That Works for You

With more than 90 years of experience in the indoor air quality field, Skuttle has earned its place as a leader in home humidification. Our longevity and dedication to our customers have resulted in products that are unsurpassed in quality and ease of operation. Features such as automatic controls, snap-out and reversible components, and fewer

overall parts make Skuttle one of the simplest, most trouble-free humidifiers you can buy.

Owner Responsibility

Skuttle's obligation to honor the warranty on this humidifier is dependent upon your completing the Warranty Registration Card (found in your humidifier parts package) and mailing it to SKUTTLE INDOOR AIR QUALITY PRODUCTS, 101 MARGARET STREET, MARIETTA, OH 45750. The warranty is not valid unless the card is returned within 15 days from the date of equipment installation.

About Your Skuttle Humidifier

Principle of Operation

Your Skuttle Humidifier uses the same method of evaporation you observe in nature after a summer shower. Mother Nature's technique is simple: warm air passes over a thin layer of water spread over a broad surface, causing the water to evaporate and the humidity level to rise. Your humidifier creates the same natural response with an evaporator pad, which dispenses water evenly in front of a warm air stream.

You'll notice that the evaporator pad has many holes and connecting strands. These significantly increase the area from which water can evaporate. This warm air evaporative process, intensified by the warm air from your furnace, is what makes your humidifier perform efficiently.

How Your Humidifier Works

The system is controlled by a humidistat that monitors the relative humidity (RH) in your home and activates or deactivates the humidifier accordingly. Water evaporated from the humidifier leaves behind all its impurities (e.g., calcium, iron, lime, bacteria, etc.), thus creating a purified vapor that doesn't pollute your indoor air. As a result, your home will be freer from these contaminants, and your family will almost certainly be healthier and more comfortable.

Models 2000, 2001. When your home's air is dryer than the selected level of humidity, the humidistat activates the low-voltage solenoid in your humidifier, allowing water to flow across the unit's media. Warm, dry air is then forced through the humidifier cabinet by the furnace blower. As the warm air evaporates the water, the resulting moist (or humidified) air is circulated throughout your home by the heating system.

Model 2002. These models operate identically to the previous models, except that warm air is forced through the humidifier cabinet by a humidifier fan rather than by the furnace blower.

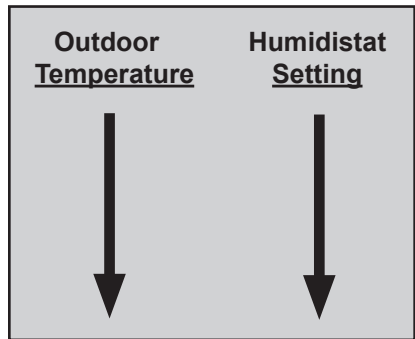
Humidistat Operating Instructions

Important Notes:

- Models 2000, 2001 and 2002 come with a standard humidistat. (See operating instructions, following.)

Your new Model 2000, 2001 or 2002 flow-thru humidifier is controlled by a humidistat that is installed either on the cold air return of your furnace or on an interior wall of your home. The recommended settings for this control may seem illogical until you understand the principle behind them....

As you can see from the Humidistat Settings Chart (page 5), the recommended setting goes down as the outside temperature decreases—just the opposite of how you operate your furnace’s thermostat. To understand the reason for this, think of what happens to an ice-cold drink when it’s outside on a hot summer day: water (or condensation) forms on the outside of the glass. Condensation occurs because the hot summer air contains humidity, and the cold surface of the glass cools the surrounding air. Once cooled, the air molecules become smaller and can no longer hold as much moisture. The result is that water droplets accumulate on the glass.



Recommended Humidistat Settings

Outside Temperature	Recommended Setting	Outside Temperature	Recommended Setting
-20°F (-29°C)	15 (Low)	10°F (-12°C)	30 (Medium)
-10°F (-23°C)	20 (Medium-Low)	20°F (-7°C)	35 (Medium-High)
0°F (-18°C)	25 (Low-Medium)	Above 20°F (-07°C)	40 (High)

Maintenance Instructions

How Water Hardness Affects Maintenance

Your humidifier will accumulate minerals such as calcium and lime after operating for a short period. (Accumulation of minerals is a sure sign the humidifier is producing humidity.) The amount of accumulation depends on the hardness of the water supply in your area. Therefore, the amount of time between cleanings is unpredictable.

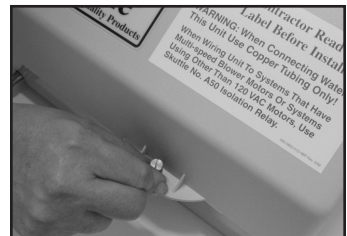
To determine if your humidifier pad needs cleaned or replaced, look to see if the openings in the pad are caked with minerals.

CAUTION: Excessive buildup of minerals is detrimental to the humidifier's internal parts as well as to the evaporative process. Refer to the maintenance instructions below to achieve years of efficient performance from your Skuttle Flow-Thru Humidifier.

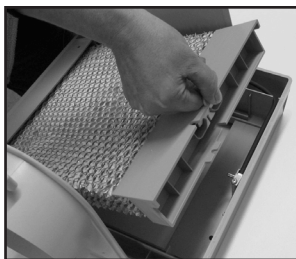
Pad Cleaning and Replacement

WARNING: To avoid hazard of electrical shock or burn, turn off power supplying this equipment before servicing.

1. Shut off the water supply.
2. Remove the humidifier cover by turning the screw (located at the bottom of the cover) counterclockwise (↺) and pulling the cover out toward you.



3. Tilt out the distribution tray and evaporator pad assembly.

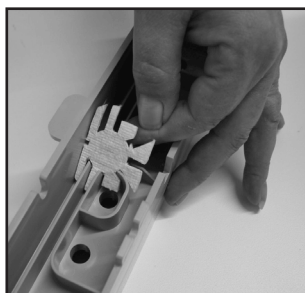


4. Wash all plastic and metal parts (except electrical parts and components) in humidifier cleaner or a 50 percent solution of vinegar and water.
5. If cleaning is not sufficient, replace the evaporator pad. (See Replacement Parts and Service, page 7.)

IMPORTANT:

- **The evaporator pad should be replaced at least once a year** (i.e., once each humidification season). In cases of excessive mineral buildup, more frequent media replacement may be necessary if cleaning is not effective.

- **The Humidifier also contains a one-piece wick, which must be changed along with the evaporator pad.** The wick can be changed easily by lifting out the old one and replacing it with the new wick provided with the evaporator pad.



6. Wipe any loose sediment from the water tray. Make sure no particles are allowed to plug the drain hole.

IMPORTANT: At the end of each humidification season, turn the water supply off and clean the unit.

If, after cleaning or replacing the pad, your Flow-Thru Humidifier does not perform up to previous standards, contact your HVAC contractor for service.

Homeowner Tips

- In a home that has had little or no humidification, allow approximately three weeks for your new humidifier to reach the desired humidity level. Your furniture, woodwork, carpeting, plaster, houseplants and family members all need time to absorb lost moisture. To eliminate drafts that allow heat and humidified air to escape, keep fireplace dampers closed when not in use.
- If excessive moisture appears on windows or walls, reduce the humidity setting on your humidistat. If the situation continues, turn off the water valve and consult your HVAC contractor.

Replacement Parts and Service

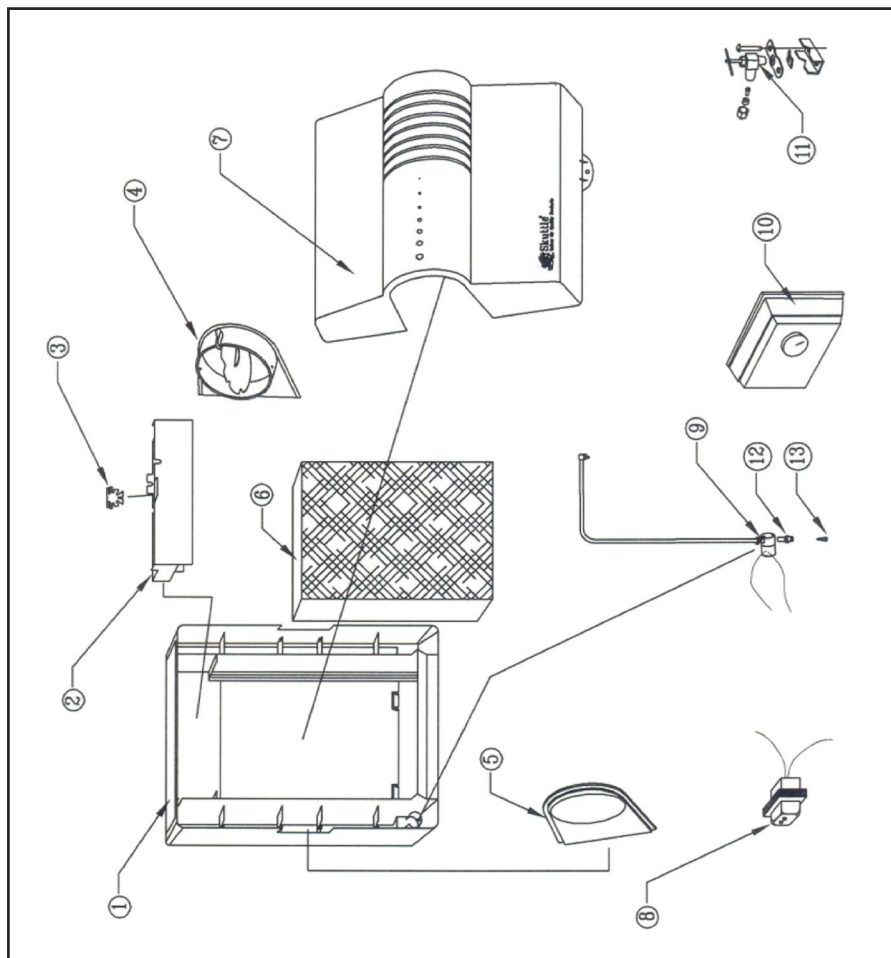
If you need parts or service to maintain the superior performance of your Flow-Thru Humidifier, follow these procedures:

- Contact the heating and air conditioning contractor who installed your unit. You may find this information stamped on the back cover of this booklet, or on a label attached to your humidifier or heating system.
- If this information is unavailable, look in the phone book or on the Internet under “Heating and Air Conditioning Contractors”.
- Finally, if these attempts for parts or service fail, write, call or email Skuttle at:

Skuttle Indoor Air Quality Products
101 Margaret Street, Marietta, OH 45750
800-848-9786 or 740-373-9169
customerservice@skuttle.com

**See Flow-Thru Humidifier part lists and diagrams,
beginning on page 8.**

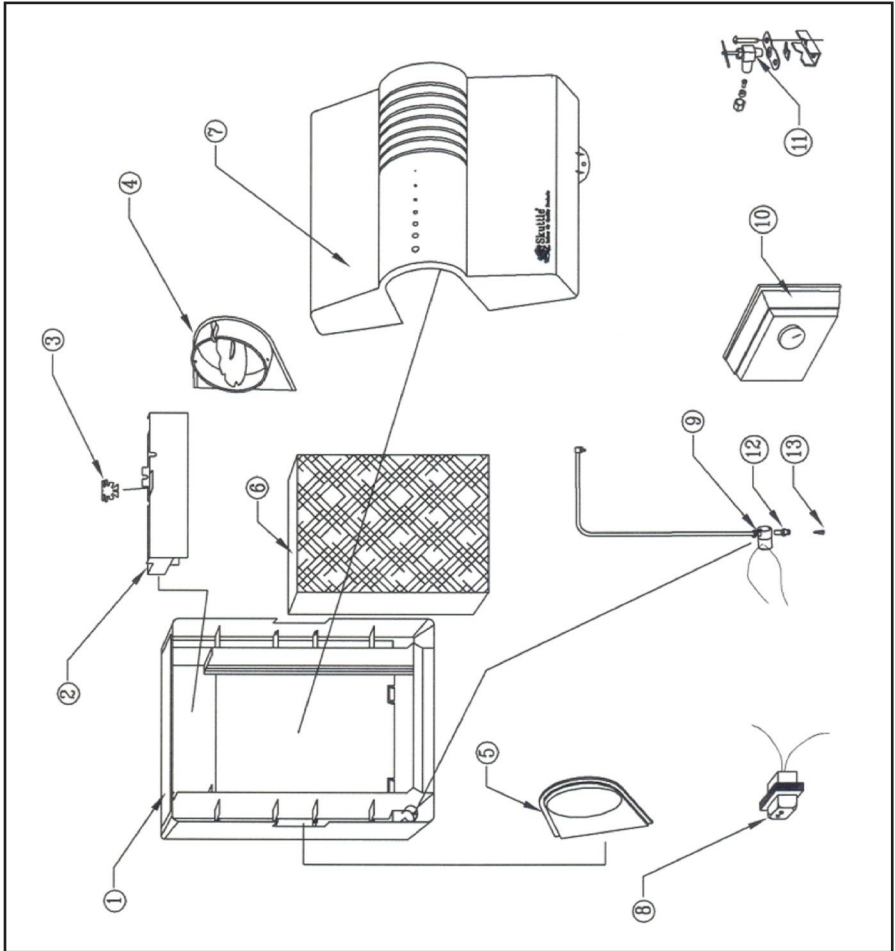
Models 2000 Replacement Parts Diagram



Models 2000 Replacement Parts List

Key No.	Part No.	Std. Pkg.	Description
1	000-1730-094	1	Mounting Base
2	000-0602-055	1	Drip Tray
3	000-1317-091	1	Wick
4	A00-1730-124	1	Side Piece w/Damper Assembly
5	000-1730-089	1	Solid Side Piece
6	A04-1725-052	12	Replacement Media w/Wick
7	A00-0641-171	1	Cover (w/Label, Screw & Retaining Washer)
8	000-0814-008	1	Transformer (24V, 10VA, 120V Primary)
9	A01-0814-148	1	24 Volt Solenoid (Universal Kit)
10	SK0-0055-001	1	Humidistat Assembly for 2000
11	A00-1128-005	1	Saddle Valve
12	000-1106-037	1	Orifice Fitting w/Filter (#13), Compression Nut & Ferrule
13	000-1319-051	1	Inline Filter
Not shown	K00-2000-000	1	Small Parts Kit (w/Cover Screw & Retainer, Water Feed Tube, 90° Brass Elbow, Elbow Retainer & Screw)

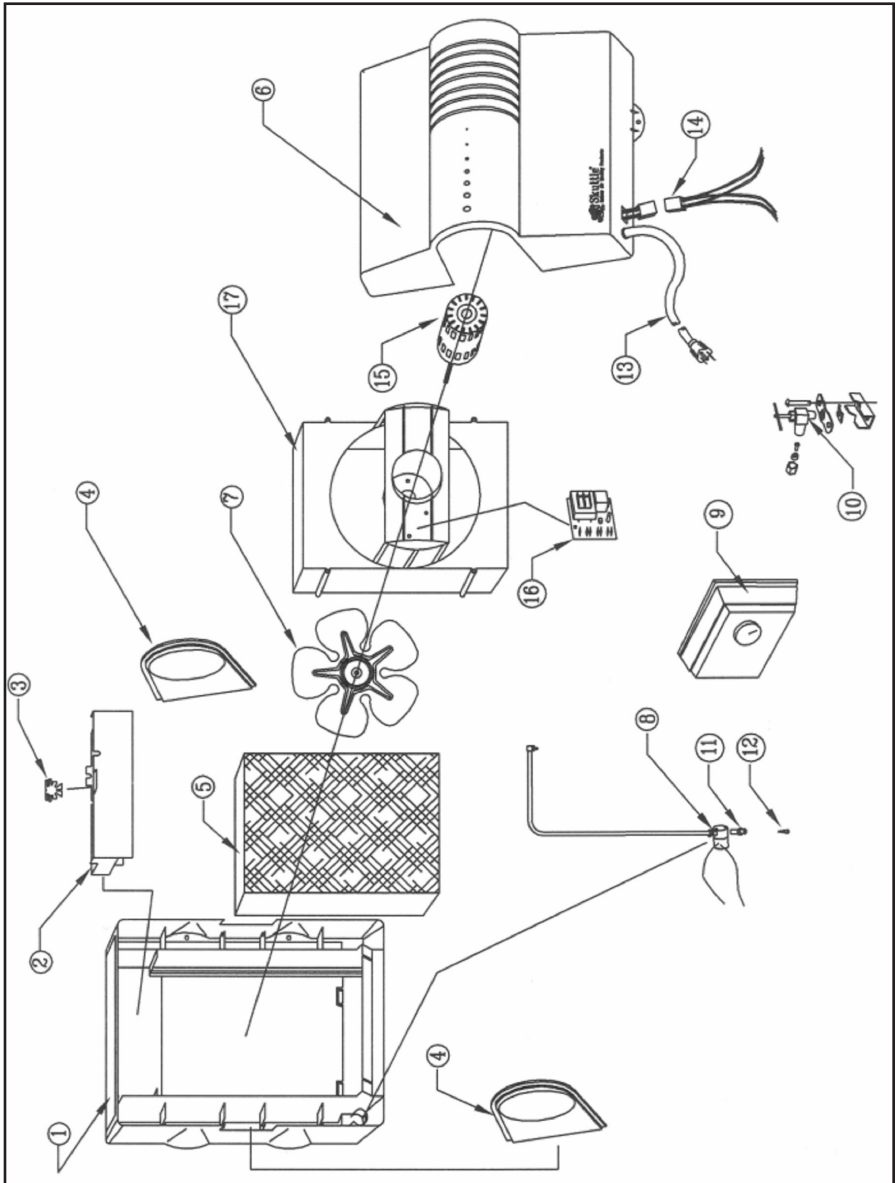
Models 2001 Replacement Parts Diagram



Models 2001 Replacement Parts List

Key No.	Part No.	Std. Pkg.	Description
1	000-1730-091	1	Mounting Base
2	000-0602-055	1	Drip Tray
3	000-1317-091	1	Wick
4	A00-1730-124	1	Side Piece w/Damper Assembly
5	000-1730-089	1	Solid Side Piece
6	A04-1725-051	12	Replacement Media w/Wick
7	A00-0641-170	1	Cover (w/Label, Screw & Retaining Washer)
8	000-0814-008	1	Transformer (24V, 10VA, 120V Primary)
9	A01-0814-148	1	24 Volt Solenoid (Universal Kit)
10	SK0-0055-001	1	Humidistat Assembly for 2001
11	A00-1128-005	1	Saddle Valve
12	000-1106-037	1	Orifice Fitting w/Filter (#13), Compression Nut & Ferrule
13	000-1319-051	1	Inline Filter
Not shown	K00-2000-000	1	Small Parts Kit (w/Cover Screw & Retainer, Water Feed Tube, 90° Brass Elbow, Elbow Retainer & Screw)

Models 2002 Replacement Parts Diagram



Models 2002 Replacement Parts List

Key No.	Part No.	Std. Pkg.	Description
1	000-1730-091	1	Mounting Base
2	000-0602-055	1	Drip Tray
3	000-1317-091	1	Wick
4	A00-1730-089	1	Solid Side Piece
5	A04-1725-051	12	Replacement Media w/Wick
6	A00-0641-169	1	Cover (w/Label, Screw & Retaining Washer)
7	000-1318-080	1	10" Diameter Fan Blade
8	A01-0814-148	1	24 Volt Solenoid (Universal Kit)
9	SK0-0055-001	1	Manual Humidistat for 2002
10	A00-1128-005	1	Saddle Valve
11	000-1106-037	1	Orifice Fitting w/Filter (#12), Compression Nut & Ferrule
12	000-1319-051	1	Inline Filter
13	000-0811-123	1	Power Supply Cord
14	000-0811-122	1	2-Piece Connector Assembly
15	000-1721-048	1	Fan Motor
16	000-0431-034	1	Insolation Relay
17	000-1730-092	1	Fan Shroud
Not shown	00-2000-000	1	Small Parts Kit (w/Cover Screw & Retainer, Water Feed Tube, 90° Brass Elbow, Elbow Retainer & Screw)

Skuttle Limited Product Warranty

NOTE: Models 2000, 2001 are warranted for five years; Model 2002 is warranted for one year.

This limited warranty covers your Skuttle Flow-Thru Humidifier as designated on the return portion of the warranty registration card, excluding wiring, plumbing and installation. Skuttle Mfg. Co. (DBA Skuttle Indoor Air Quality Products) warrants that this product is free from defects in material and workmanship under normal, noncommercial use and service. Skuttle will remedy any such defects if they appear within 12 months from the date of the original installation as evidenced by receipt of the warranty registration card, subject to the terms and conditions of the limited warranty stated below:

1. THIS LIMITED PRODUCT WARRANTY IS GUARANTEED BY SKUTTLE MANUFACTURING COMPANY, 101 Margaret Street, Marietta, OH 45750.
2. This warranty shall extend only to any noncommercial owner who has purchased this residential product for purposes other than resale.
3. The completion and return of the Warranty Registration Card is a condition precedent to warranty coverage and performance. The warranty is not valid unless this card is completed and mailed to the factory within fifteen (15) days of equipment installation.
4. All components are covered by this limited warranty except expendable items.
5. If, within the warranty period, this product or any component requires service, it must be performed by a competent heating and/or plumbing contractor—preferably the installing contractor. Skuttle will not pay shipping or labor charges to remove or replace such defective parts or components. If the part or component is found by inspection to contain such defective material and/or workmanship, it will be repaired or exchanged free of charge at Skuttle's option, and returned freight collect.
6. In order to obtain the benefits of this limited warranty, you must notify the dealer or distributor in writing of any defects within thirty (30) days of the discovery. If, after reasonable time, you have not received an adequate response from the dealer or distributor, notify in writing:

**Skuttle Indoor Air Quality Products
101 Margaret Street
Marietta, OH 45750**

SKUTTLE WILL RECEIVE, FREIGHT PREPAID, ONLY REMOVABLE PARTS OR COMPONENTS OF SUCH DEFECTIVE PRODUCTS.

7. This limited warranty does not apply to any part or component that is damaged in transit or handling; has been subjected to abuse, neglect or accident; has not been installed, operated and serviced according to Skuttle's instructions; has been operated beyond the factory rated capacity; or has been altered in any way that affects its performance. There is no warranty due to neglect, alteration or ordinary wear and tear. Skuttle's liability is limited to replacement of defective parts or components and does not include the payment of the cost of labor charges to remove or replace such defective components or parts.
8. Skuttle will not be responsible for loss of use of any product; loss of time; inconvenience; or any other indirect, incidental or consequential damages with respect to person or property, whether as a result of breach of contract, neglect or otherwise. (SOME STATES DO NOT ALLOW THE LIMITATION OF EXCLUSION OR LIMITATION OF INCIDENTAL OR CONSEQUENTIAL DAMAGES, SO THE LIMITATION OF EXCLUSION IN THE PRECEDING SENTENCE MAY NOT APPLY TO YOU.)
9. THIS WARRANTY GIVES YOU SPECIFIC RIGHTS, AND YOU MAY ALSO HAVE OTHER RIGHTS WHICH VARY FROM STATE TO STATE.
10. Any warranty work will be performed within a reasonable time—usually within one-hundred-twenty (120) days after notice of defect and delivery to the Skuttle factory—subject to delays beyond the manufacturer's control
11. Any warranty by Skuttle of merchantability, fitness for use or any other warranty (express, implied or statutory), representation or guarantee other than what was set forth herein shall expire at the expiration date of this limited warranty. (SOME STATES DO NOT ALLOW LIMITATION ON HOW LONG AN IMPLIED WARRANTY LASTS, SO THE LIMITATION IN THE PRECEDING SENTENCE MAY NOT APPLY TO YOU.)
12. Skuttle reserves the right to make changes in the design and material of its products without incurring any obligation to incorporate such changes in the units completed before the effective date of such change.



Skuttle® Indoor Air Quality Products

Productos para la Calidad del Aire en Ambientes Interiores

101 Margaret St., Marietta, OH 45750

800-848-9786 (sólo EUA) o 740-373-9169

customerservice@skuttle.com • www.skuttle.com

ESPAÑOL

Contenido

Felicitaciones.....	18
Una experiencia que trabaja por usted.....	18
Las responsabilidades del propietario	19
Sobre su humidificador Skuttle.....	19
Principios de operación	19
Cómo funciona su humidificador	19
Instrucciones para la operación del humidistato.....	20
Niveles recomendados para el humidistato.....	21
Instrucciones para la manutención.....	21
El impacto del agua dura en la manutención	21
Filtro de limpieza y repuesto	22
Sugerencias para el propietario.....	23
Piezas de repuesto y de servicio.....	23
Modelos 2000.....	24
Modelos 2001.....	26
Modelos 2002.....	28
Garantía limitada de su producto Skuttle	30
English.....	1
Français.....	32

Observe el número del modelo y la información del contratista al reverso de este manual.

Felicitaciones...

... por su compra de un Humidificador de Desvío Skuttle de Alta Capacidad, ¡Uno de las humidificadores residenciales más finos!



Modelos 2000
Humidificadores de
Desvío Ventilados por el
Sistema de Calefacción

Modelos 2001
Humidificadores de
Desvío Ventilados por el
Sistema de Calefacción

Modelos 2002
Humidificadores de
Desvío con Ventilador
Interno

Los humidistatos de los modelos 2000, 2001 y 2002 se operan manualmente.

Favor de tomar unos minutos para leer este folleto. Le informará de varios detalles y beneficios de su nuevo humidificador, y le ayudará a entender la mantenimiento rutinaria que asegurará muchos años de utilidad eficiente.

Una experiencia que trabaja por usted

Con más de 90 años de experiencia en el campo de la calidad del aire de ambientes interiores, Skuttle ha logrado su propio lugar como líder

en el humedecimiento residencial. Nuestra longevidad y la dedicación a nuestros clientes han dado como fruto unos productos a los que no se supera en términos de calidad y facilidad de operar. Detalles como controles automáticos, componentes reversibles y fáciles de meter y sacar y menos piezas en general, hacen que los humidificadores Skuttle sean de los más simples y los más libres de problemas que se pueden comprar.

Las responsabilidades del propietario

La obligación de Skuttle para cumplir con la garantía de este humidificador depende de que usted complete la tarjeta de registro de la garantía (la cual se encuentra en el paquete de piezas para el humidificador) y que la envíe a SKUTTLE INDOOR AIR QUALITY PRODUCTS, 101 MARGARET STREET, MARIETTA, OH 45750. La garantía no será válida si no se recibe la tarjeta dentro de 15 días después de la fecha de la instalación del equipo.

Sobre su humidificador Skuttle

Principios de operación

Su humidificador Skuttle utiliza el mismo método de evaporación de lo que se observa en la naturaleza después de una lluvia en verano. La técnica de la Madre Naturaleza es simple: el aire caliente pasa por encima de una capa fina de agua derramada por una superficie amplia, causando que el agua se evapore y que la humedad aumente. Su humidificador produce la misma reacción natural con una tabla de evaporación, la cual distribuye el agua uniformemente ante un flujo de aire caliente.

Se notará que el filtro de evaporación tiene muchos orificios y filamentos conectores. Estos aumentan sustancialmente el área desde la cual se puede evaporar el agua. Este proceso de evaporación de aire caliente, intensificado por el aire caliente del sistema de calefacción, es lo que hace que su humidificador funcione eficientemente.

Cómo funciona su humidificador

El sistema es controlado por el humidistato, que revisa la humedad relativa (RH) dentro de su casa y, según ello, pone en marcha o apaga el humidificador. El agua evaporada del humidificador deja atrás todas sus impurezas (por ejemplo, calcio, hierro, cal, bacterias, etc.), creando así un vapor purificado que no contamina su aire ambiental. Como

resultado, su casa estará más libre de estos contaminantes y su familia casi por seguro estará más sana y más cómoda.

Los modelos 2000, 2001. Cuando el nivel de la humedad dentro de su casa cae debajo del nivel seleccionado, el humidistato activa un solenoide de bajo voltaje en el humidificador, permitiendo así que corra el agua por el filtro de evaporación del aparato. Entonces el sistema de calefacción ventila un flujo de aire caliente y seco por el gabinete del humidificador. A medida que el aire evapora al agua, el resultante aire húmedo (o humedecido) es circulado a su casa a través del sistema de calefacción.

Los modelos 2002. Estos modelos funcionan del mismo modo que los de arriba, pero el flujo del aire caliente es impulsado por un ventilador dentro del gabinete del humidificador en lugar del ventilador del sistema de calefacción.

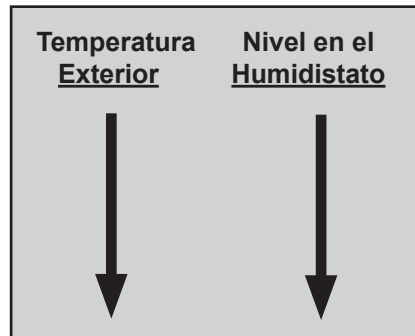
Instrucciones para la operación del humidistato

Avisos Importantes:

- Los modelos 2000, 2001 y 2002 vienen con humidistato estándar. Véanse las instrucciones de operación que siguen abajo.

Su nuevo humidificador de desvío modelo 2000, 2001 o 2002 es controlado por un humidistato que se ha instalado o en el conducto de retorno del aire frío en su sistema de calefacción, o en una pared interior de su casa. Los niveles recomendados para este control pueden parecer ilógicos hasta que se haya entendido el principio detrás de ellos....

Como se puede observar arriba en la tabla para los niveles del humidistato, el nivel recomendado va bajando a medida que baja la temperatura exterior—todo lo contrario de la manera en que se usa el termostato del sistema de calefacción. Para entender el porqué de esto, piense en lo que ocurre con una bebida helada en un día caluroso de verano—se forma agua (o condensación) en la



superficie del vaso. Esta condensación se da porque el aire caliente del verano es húmedo, y la superficie enfriada del vaso hace que baje la temperatura del aire circundante. Una vez enfriadas, las moléculas del aire se hacen cada vez menores y por eso ya no pueden contener tanta agua. El resultado es que se acumulen gotitas de agua en el vaso.

El mismo principio se aplica a su casa en el invierno, cuando baja la temperatura exterior y el aire dentro de la casa se mantiene caliente y húmedo. Para retener la humedad dentro de su casa y prevenir la condensación, es necesario bajar el humidistato a medida que bajen las temperaturas afuera.

Niveles Recomendados para el humidistato

Temperatura Exterior	Nivel Recomendado	Temperatura Exterior	Nivel Recomendado
-20°F (-29°C)	15 (bajo)	10°F (-12°C)	30 (medio)
-10°F (-23°C)	20 (bajo medio)	20°F (-7°C)	35 (medio alto)
0°F (-18°C)	25 (medio bajo)	arriba de 20°F (-07°C)	40 (alto)

Instrucciones para la manutención

El impacto del agua dura en la manutención

Después de un corto período de uso, su humidificador va a acumular minerales como el calcio y el cal. (La acumulación de minerales es señal segura de que el humidificador está produciendo humedad.) La cantidad de minerales acumulados depende de la dureza del agua proveída en la zona. Por eso, es imposible pronosticar cuánto tiempo debe pasar entre cada limpieza.

Para decidir si es necesario limpiar o reemplazar el filtro de evaporación, observe si las aberturas en el filtro están bloqueadas por minerales.

OJO: Una acumulación excesiva de minerales es dañina para las piezas internas del humidificador y también para el proceso de evaporación. Para conseguir años de rendimiento eficiente de su humidificador de desvío Skuttle, consulte las instrucciones abajo para la manutención.

Filtro de limpieza y repuesto

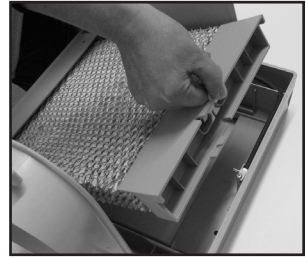
ATENCIÓN: Para evitar el peligro de un descarga o una quemadura eléctrica, corte la corriente que va a este equipo antes de trabajar en la manutención.

1. Cierre la llave del agua que entra al aparato.



2. Quite la tapa del humidificador sacando el tornillo (que se encuentra en la parte inferior de la tapa) en sentido contrario al de las manecillas del reloj (↺) y jale la tapa hacia afuera.

3. Inclinandola, saque la armadura con la bandeja de distribución y el filtro de evaporación.

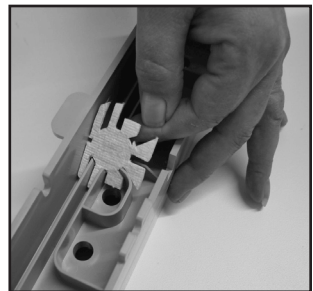


4. Lave todas las piezas de plástico y metal (menos las piezas y componentes eléctricos) usando un limpiador para humidificadores o una solución de partes iguales de vinagre y agua.

5. Si esta limpieza resulta insuficiente, habrá que reemplazar el filtro de evaporación. (Vea Piezas de repuesto y servicio, pag. 23.)

AVISOS IMPORTANTES:

- **El filtro de evaporación debe reemplazarse por lo menos una vez al año** (o sea, una vez por temporada de humidificación). En casos de acumulación excesiva de minerales, es posible que sea necesario reemplazarlo el medio con mayor frecuencia si la limpieza resulta ineficaz.
- **El humidificador también contiene una mecha de una sola pieza que ha de cambiarse junto con el filtro de evaporación.** La mecha puede cambiarse fácilmente, levantando la vieja y reemplazándola con la nueva que se incluye con el filtro de evaporación.



6. Limpie de la bandeja para el agua cualquier sedimento que no esté pegado a ella. Asegúrese de que no haya ninguna partícula que bloquee la abertura para el drenaje.

IMPORTANTE: Al final de cada temporada de humidificación córtele al equipo su corriente de agua y límpielo.

Sugerencias para el propietario

- En una casa donde no haya habido ninguna humidificación, deje que pasen unas tres semanas para que su nuevo humidificador alcance el nivel deseado de humedad. Los muebles, las maderas, las alfombras, el yeso, las plantas y los miembros de su familia todos necesitan tiempo para absorber la humedad.
- Para eliminar corrientes de aire que permiten el escape de la calefacción y el aire humedecido, mantenga cerradas las compuertas de tiro de las chimeneas cuando no estén en uso.
- Si aparece en las ventanas o paredes una humedad excesiva, baje el nivel de humedad en el humidistato. Si persiste la situación, cierre la llave del agua y consulte a su contratista de sistemas de calefacción y aire acondicionado.

Piezas de repuesto y servicio

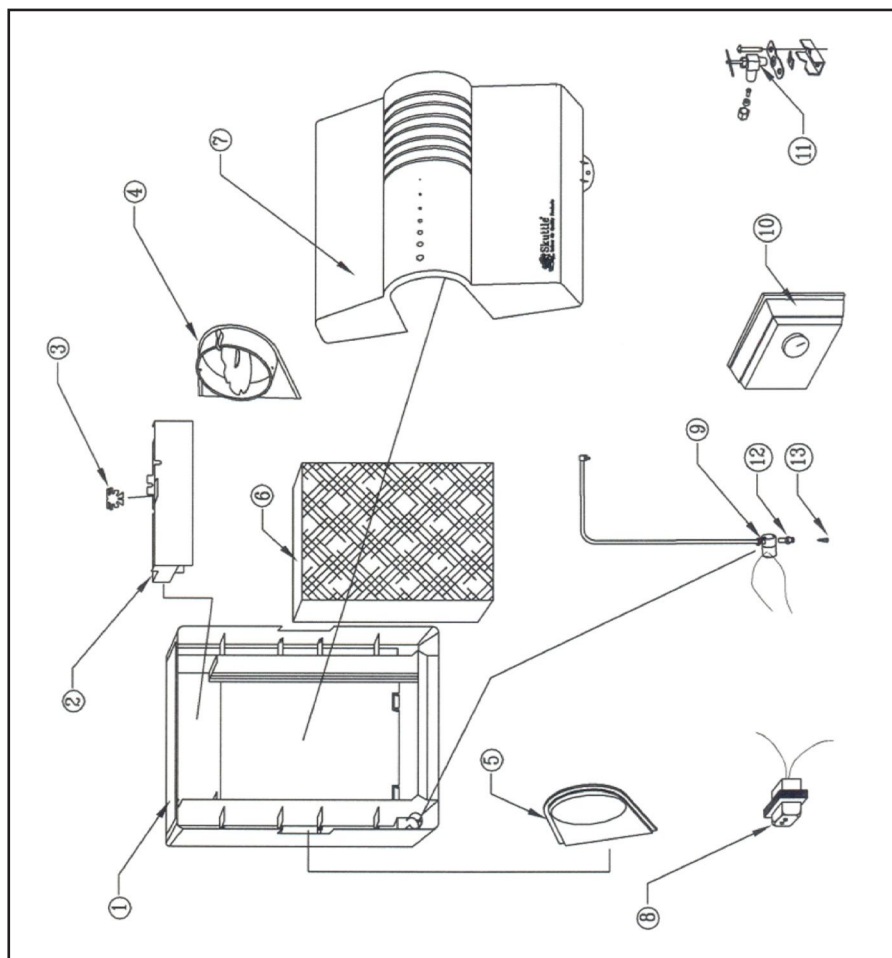
Si en algún momento necesita de piezas de repuesto o de servicio para mantener el funcionamiento óptimo de su humidificador, siga los siguientes pasos simples:

- Contactar al contratista de sistemas de calefacción y aire acondicionado que instaló su aparato. En muchos casos esta información se encuentra en la etiqueta pegada a su humidificador o su sistema de calefacción.
- Si no se encuentra ninguna etiqueta, consulte la guía telefónica o el Internet bajo Contratistas de Sistemas de Calefacción y Aire Acondicionado.
- Finalmente, si no le sirve ninguno de estos intentos de conseguir piezas de repuesto o de servicio, escriba, llame o mande un mensaje por correo electrónico a Skuttle:

Skuttle Indoor Air Quality Products
101 Margaret Street, Marietta, OH 45750
800-848-9786 o 740-373-9169
customerservice@skuttle.com

Vea el diagrama y la lista de partes del humidificador de desvío ventilados por el sistema de calefacción, empezando en la pag. 24.

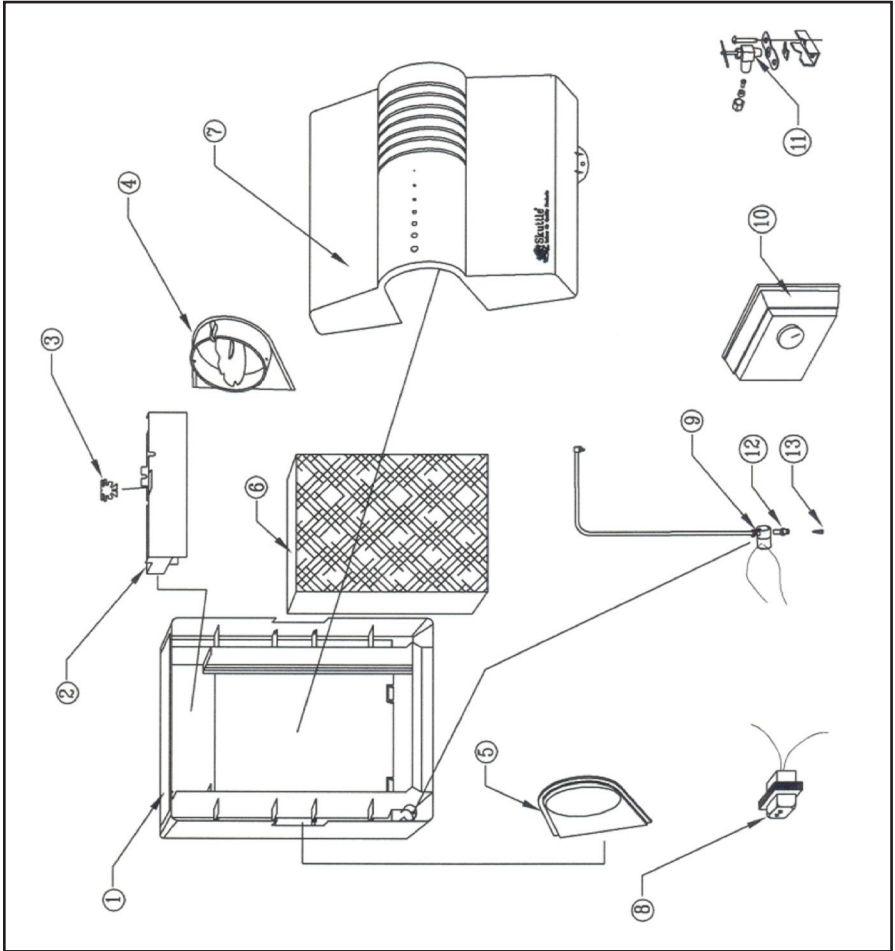
Diagrama de piezas de repuesto Modelos 2000



Lista de piezas de repuesto Modelos 2000

Número de Clave	Número de Pieza	Embalaje Estandar	Descripción
1	000-1730-094	1	Base de Montura
2	000-0602-055	1	Bandeja de Goteo
3	000-1317-091	1	Mecha
4	A00-1730-124	1	Pieza Lateral con Regulador
5	000-1730-089	1	Pieza Lateral Sólida
6	A04-1725-052	12	Filtros con Mecha de Repuesto
7	A00-0641-171	1	Cubierta con Etiqueta, Tornillo y Arandela
8	000-0814-008	1	Transformador (24V, 10VA, 120V Primario)
9	A01-0814-148	1	Solenoido de 24V (Juego Universal)
10	SK0-0055-001	1	Humidistato para Modelo 2000
11	A00-1128-005	1	Válvula de Tipo Sillín
12	000-1106-037	1	Empalme con Filtro (#13), Tuerca de Compresión y Capuchón de metal
13	000-1319-051	1	Filtro en Línea
No Mostrada	K00-2000-000	1	Juego de Piezas Pequeñas (Tornillo para Cubierta y Arandela, Tubo de Cobre de 90°, Codo Sujetador y Tornillo)

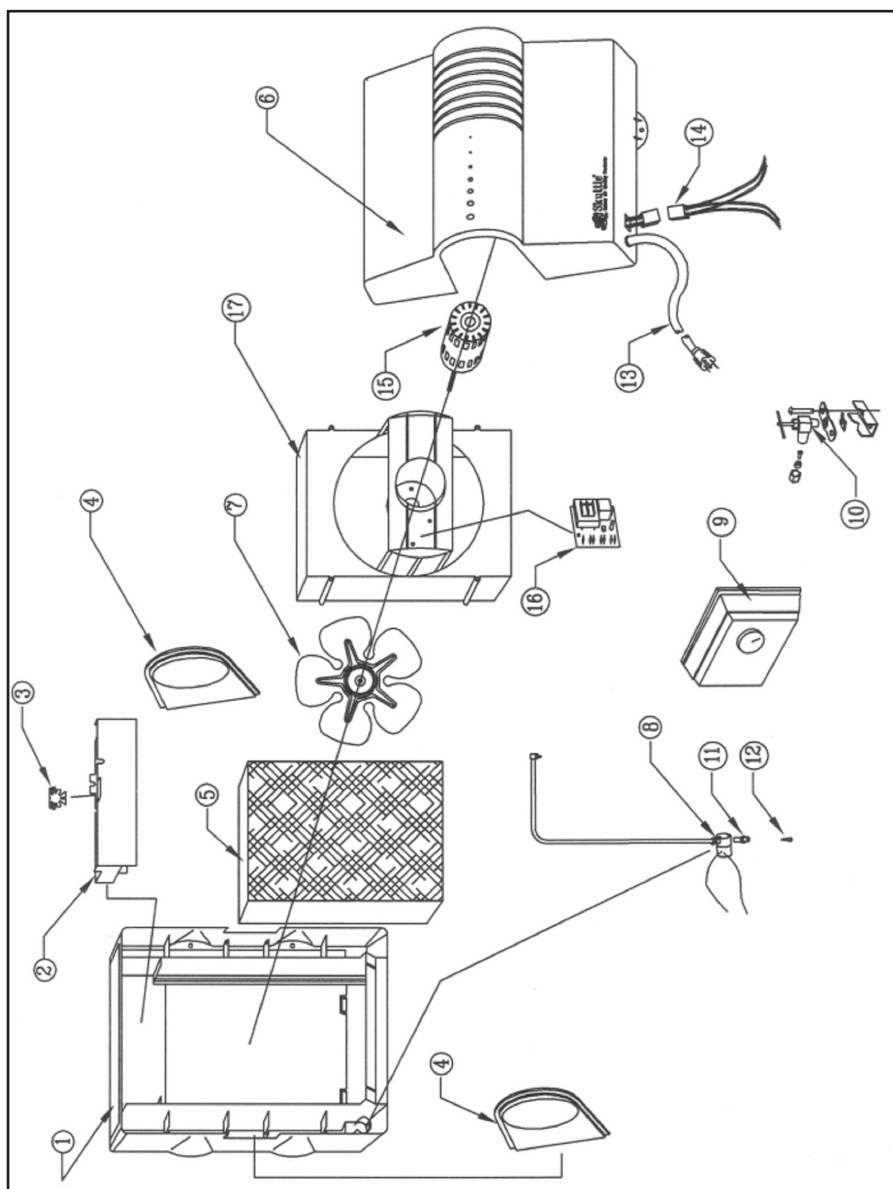
Diagrama de piezas de repuesto Modelos 2001



Lista de piezas de repuesto Modelos 2001

Número de Clave	Número de Pieza	Embalaje Estandar	Descripción
1	000-1730-091	1	Base de Montura
2	000-0602-055	1	Bandeja de Goteo
3	000-1317-091	1	Mecha
4	A00-1730-124	1	Pieza Lateral con Regulador
5	000-1730-089	1	Pieza Lateral Sólida
6	A04-1725-051	12	Filtros con Mecha de Repuesto
7	A00-0641-170	1	Cubierta con Etiqueta, Tornillo y Arandela
8	000-0814-008	1	Transformador (24V, 10VA, 120V Primario)
9	A01-0814-148	1	Solenoides de 24V (Juego Universal)
10	SK0-0055-001	1	Humidistato para Modelo 2001
11	A00-1128-005	1	Válvula de Tipo Sillín
12	000-1106-037	1	Empalme con Filtro (#13), Tuerca de Compresión y Capuchón de metal
13	000-1319-051	1	Filtro en Línea
No Mostrada	K00-2000-000	1	Juego de Piezas Pequeñas (Tornillo para Cubierta y Arandela, Tubo de Cobre de 90°, Codo Sujetador y Tornillo)

Diagrama de piezas de repuesto Modelos 2002



Lista de piezas de repuesto Modelos 2002

Número de Clave	Número de Pieza	Embalaje Estandar	Descripción
1	000-1730-091	1	Base de Montura
2	000-0602-055	1	Bandeja de Goteo
3	000-1317-091	1	Mecha
4	A00-1730-089	1	Pieza Lateral Sólida
5	A04-1725-051	12	Filtros con Mecha de Repuesto
6	A00-0641-169	1	Cubierta con Etiqueta, Tornillo y Arandela
7	000-1318-080	1	Hoja de Ventilador de 10 pulgadas
8	A01-0814-148	1	Solenoido de 24V (Juego Universal)
9	SK0-0055-001	1	Humidistato para Modelo 2002
10	A00-1128-005	1	Válvula de Tipo Sillín
11	000-1106-037	1	Empalme con Filtro (#12), Tuerca de Compresión y Capuchón de metal
12	000-1319-051	1	Filtro en Línea
13	000-0811-123	1	Cable de Suministro de Corriente
14	000-0811-122	1	Conector para Ensamblaje de 2 Piezas
15	000-1721-048	1	Motor de Ventilador
16	000-0431-034	1	Relevo de Aislamiento
17	000-1730-092	1	Carcasa del Ventilador
No Mostrada	00-2000-000	1	Juego de Piezas Pequeñas (Tornillo para Cubierta y Arandela, Tubo de Cobre de 90°, Codo Sujetador y Tornillo)

Garantía Limitada de su Producto Skuttle

NOTA: Modelos 2000, 2001 tienen garantía por cinco años; Modelos 2002 tienen garantía por un año.

Esta garantía limitada de vigencia se aplica a este producto Skuttle tal como se le designa en la parte a remitir en la tarjeta de matrícula de la garantía, excepto el cableado, la plomería y la instalación. La Skuttle Manufacturing Company (conocida como Skuttle Indoor Air Quality Products) garantiza que este producto es libre de defectos en el material y su elaboración confeccionado bajo un uso y servicio normal y no comercial. Skuttle remediará tales defectos si aparecen dentro de 12 meses desde la fecha de la instalación original, comprobada ésta por el recibo de la tarjeta de registro de la garantía, sujeta a los términos y las condiciones abajo declarados:

1. ESTA GARANTÍA LIMITADA DEL PRODUCTO ES GARANTIZADA POR SKUTTLE MANUFACTURING COMPANY, 101 Margaret Street, Marietta, OH 45750.
2. Esta garantía se extenderá sólo a cualquier propietario no comercial que haya comprado este producto residencial para fines otros que los de reventa.
3. El completar y devolver la tarjeta de registro de la garantía son una condición precedente a la cobertura y el cumplimiento de la garantía. La garantía no es válida a menos que la tarjeta sea completada y mandada a la fábrica dentro de quince (15) días desde la instalación del equipo.
4. Todos los componentes están cubiertos bajo esta garantía limitada excepto los elementos desechables.
5. Si dentro del período de la garantía este producto o cualquier componente requiere de un servicio, tiene que llevarlo a cabo un contratista competente en sistemas de calefacción o plomería—preferiblemente el contratista que lo instaló. Skuttle no pagará costos de envío ni de mano de obra para quitar o reemplazar cualesquier piezas o componentes defectuosos. Si al inspeccionarse se encuentra que la pieza o el componente contiene material o elaboración defectuosa, o se reparará se cambiará gratis, según la decisión de Skuttle, y se devolverá con flete por cobrar.
6. Para conseguir los beneficios de esta garantía limitada, se tiene que notificar por escrito al concesionario o distribuidor de cualquier defecto dentro de treinta (30) días del descubrimiento del mismo. Si después de un período razonable no se ha recibido una respuesta adecuada del concesionario o distribuidor, notifique por escrito a:

**Skuttle Indoor Air Quality Products
101 Margaret Street
Marietta, OH 45750**

SKUTTLE RECIBIRÁ, CON FLETE PREPAGADO, SÓLO PIEZAS O COMPONENTES MÓVILES DE TALES PRODUCTOS DEFECTUOSOS.

7. Esta garantía limitada no se aplica a ninguna pieza o componente que se haya dañado en el tránsito o en la manipulación del producto; que haya sufrido maltratos, negligencias o accidentes; que no se haya instalado, operado o mantenido según las instrucciones de Skuttle; que se haya operado por encima de los parámetros establecidos por la fábrica; o que haya sido alterada de cualquier manera que afecte su rendimiento. No hay ninguna garantía debida a la negligencia, la alteración o el desgaste normal. La obligación de Skuttle se limita a reemplazar las piezas o componentes defectuosos y no incluye el costo de la mano de obra para quitar o poner estos componentes o piezas defectuosas.
8. Skuttle no será responsable de la pérdida por uso de ningún producto; de la pérdida del tiempo; de ninguna inconveniencia; ni de ningún otro daño indirecto, incidental o consecuente con respecto da las personas o a la propiedad, sea como resultado del incumplimiento del contrato, de la negligencia o de otra cosa. (ALGUNOS ESTADOS NO PERMITEN LA LIMITACIÓN O LA EXCLUSIÓN DE DAÑOS INCIDENTALES O CONSECUENTES. POR ESO LA LIMITACIÓN DE LA EXCLUSIÓN EN LA FRASE ANTERIOR TAL VEZ NO SE LE APLIQUE A USTED.)
9. ESTA GARANTÍA LE OTORGA DERECHOS ESPECÍFICOS, Y TAL VEZ TENGA USTED OTROS DERECHOS QUE VARÍAN DE ESTADO EN ESTADO.
10. Cualquier trabajo garantizado se llevará a cabo dentro de un período razonable—normalmente dentro de ciento veinte (120) días después de la notificación del defecto y la entrega a la fábrica de Skuttle—sujeto a cualquier atraso que quede fuera del control del fabricante.
11. Cualquier garantía hecha por Skuttle sobre la comerciabilidad o la propiedad del uso, o cualquier otra garantía (expresa, implícita o estatutario), representación o garantía aparte de la que se ha expuesto aquí, dejará de ser vigente en la fecha en que se vence esta garantía limitada. (ALGUNOS ESTADOS NO PERMITEN LA LIMITACIÓN DE CUÁNTO TIEMPO DURA UNA GARANTÍA IMPLÍCITA, ASÍ QUE LA LIMITACIÓN EN LA FRASE ANTERIOR TAL VEZ NO SE LE APLIQUE A USTED.)
12. Skuttle retiene el derecho de hacer cambios en el diseño y los materiales de sus productos sin incurrir en ninguna obligación de incorporar tales cambios en las unidades terminadas antes de la fecha en la que tal cambio entra en vigor.



Skuttle® Indoor Air Quality Products

Produits Skuttle pour la qualité de l'air intérieur

101 Margaret St., Marietta, OH 45750

800-848-9786 (États-Unis seulement) ou 740-373-9169

customerservice@skuttle.com • www.skuttle.com

FRANÇAIS

Table des matières

Félicitations.....	34
L'expérience qui travaille pour vous	34
Responsabilité du propriétaire.....	35
À propos de votre humidificateur Skuttle.....	35
Principe de fonctionnement	35
Fonctionnement de votre humidificateur.....	35
Instructions de fonctionnement de l'hygrostat	36
Réglage recommandé pour votre hygrostat	37
Instructions d'entretien	37
Entretien influencé par la qualité de l'eau.....	37
Nettoyage et remplacement du tampon.....	37
Conseils pour le propriétaire.....	39
Remplacement des pièces et service.....	39
Modèles 2000	40
Modèles 2001	42
Modèles 2002	44
Garantie limitée pour les produits Skuttle.....	46
English.....	1
Español.....	16

Voir les numéros de modèles et l'information pour l'installateur
à la fin de ce document

Félicitations

... vous venez d'acheter un humidificateur Skuttle avec une circulation directe de grande capacité – un des meilleurs humidificateurs résidentiels sur le marché!



Humidificateurs à circulation directe et à dérivation modèles 2000



Humidificateurs à circulation directe et à dérivation modèles 2001



Humidificateur à ventilation motorisé modèles 2002

Les modèles 2000, 2001 et 2002 sont équipés d'un hygrostat manuel.

Veillez prendre quelques minutes pour lire ce manuel afin de vous familiariser avec les nombreuses caractéristiques et les bénéfices de votre nouvel humidificateur. Avec un entretien régulier, vous obtiendrez un fonctionnement efficace pendant des années.

L'expérience qui travaille pour vous

Avec plus de 90 années d'expérience dans le domaine de la qualité de l'air intérieur, Skuttle a gagné sa position de leader en humidification résidentielle. Nos produits qui sont les meilleurs pour la qualité et la

facilité d'utilisation sont le fruit de notre longévité et de notre dévouement pour nos clients. Des caractéristiques telles que les contrôles automatiques, des pièces réversibles et qui s'enlèvent aisément, et moins de pièces à remplacer, font de Skuttle un des humidificateurs les plus simples et sans problèmes qu'on puisse acheter.

Responsabilité du propriétaire

Pour honorer la garantie de votre humidificateur, Skuttle doit obligatoirement avoir reçu par la poste la carte d'enregistrement de la garantie (qui se trouve dans l'emballage des pièces de votre humidificateur). Cette carte doit être adressée à SKUTTLE INDOOR AIR QUALITY PRODUCTS, 101 MARGARET STREET, MARIETTA, OH 45750. Pour que la garantie soit valable, la carte doit avoir été retournée dans les 15 jours suivants la date d'installation de l'équipement.

À propos de votre humidificateur Skuttle

Principe de fonctionnement

Votre humidificateur Skuttle utilise la même méthode d'évaporation qu'on observe dans la nature en été après un orage. La technique de mère nature est simple : de l'air tiède passe au-dessus d'une mince couche d'eau étendue sur une grande surface, cela fait évaporer l'eau, augmentant ainsi le niveau d'humidité. Votre humidificateur crée le même phénomène naturel avec un tampon évaporateur qui répartit l'eau uniformément devant un courant d'air tiède.

Observez le tampon évaporateur, vous remarquerez de nombreuses perforations et des fils connecteurs. Ceci augmente énormément la surface d'évaporation de l'eau. Ce processus d'évaporation de l'air tiède, intensifié par l'air tiède sortant de votre fournaise est la raison pour laquelle votre humidificateur fonctionne efficacement.

Fonctionnement de votre humidificateur

Le système est contrôlé par un hygrostat qui gère l'humidité relative (HR) de votre résidence en faisant fonctionner et en arrêtant l'humidificateur selon les besoins. L'eau qui s'évapore de l'humidificateur laisse toutes ses impuretés derrière elle (ex. : calcium, fer, chaux, bactéries, etc.). La vapeur est donc purifiée et ne pollue pas l'air ambiant. Par conséquent, votre résidence contiendra moins de contaminants et votre famille jouira d'une meilleure santé tout en étant plus confortable.

Modèle 2000, 2001. Lorsque l'air de votre résidence est plus sec que le niveau programmé d'humidité, l'hygrostat active le solénoïde de bas voltage de votre humidificateur, permettant ainsi à l'eau de se répandre dans l'unité. De l'air tiède et sec est alors envoyé dans le boîtier de l'humidificateur par le ventilateur de la fournaise. L'air humide est généré au fur et à mesure que l'air tiède fait évaporer l'eau et le système de chauffage le fait circuler dans toute la maison.

Modèle 2002. Ces modèles fonctionnent sur le même principe que les modèles ci-dessus. Il y a une seule différence, l'air tiède étant envoyé dans le boîtier de l'humidificateur par le ventilateur de l'humidificateur et non pas par le ventilateur de la fournaise.

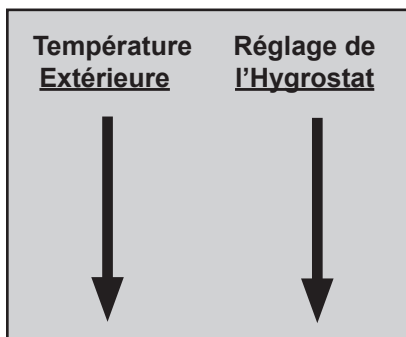
Instructions de fonctionnement de l'hygrostat

NOTES IMPORTANTES :

- Les modèles 2000, 2001 et 2002 ont un hygrostat standard. Voir les instructions de fonctionnement ci-après.

Les nouveaux humidificateurs à circulation directe, modèles 2000, 2001 ou 2002 sont contrôlés par un hygrostat qui est installé soit sur le retour d'air froid de votre fournaise, soit sur un mur intérieur de votre résidence. Les recommandations pour l'installation de ce contrôle pourraient sembler illogiques, mais attendez d'en comprendre les raisons.

Comme vous pouvez le constater en lisant le tableau de réglage ci-après, il est recommandé de baisser le réglage de votre hygrostat au fur et à mesure que la température extérieure descend – c'est le contraire pour le thermostat de votre fournaise. Pour en comprendre la raison, pensez à ce qui arrive à une boisson très froide lorsque vous la sortez à l'extérieur en été quand il fait très chaud de l'eau ou condensation se forme sur la paroi extérieure du verre. Une fois rafraîchies, les molécules d'air deviennent plus petites et ne peuvent donc plus retenir autant d'humidité. Des gouttes d'eau s'accumulent alors sur le verre.



Le même principe s'applique à votre résidence en hiver lorsque la température extérieure descend et que l'air à l'intérieur demeure chaud et humide. Il est nécessaire de baisser votre hygromètre au fur et à mesure que la température descend afin de retenir l'humidité dans votre maison et de prévenir toute condensation.

Réglage recommandé pour votre hygromètre

Température extérieure	Réglage recommandé	Température extérieure	Réglage recommandé
-20°F (-29°C)	15 (bas)	10°F (-12°C)	30 (moyen)
-10°F (-23°C)	20 (moyen-bas)	20°F (-7°C)	35 (moyen-haut)
0°F (-18°C)	25 (bas-moyen)	Au-dessus de 20°F (-07°C)	40 (haut)

Instructions d'entretien

Entretien influencé par la qualité de l'eau

Votre humidificateur va accumuler des minéraux tels que calcium ou chaux après avoir fonctionné pendant une courte période (L'accumulation des minéraux est une bonne indication que votre humidificateur produit de l'humidité). La quantité accumulée va dépendre de la dureté de l'eau de votre région, c'est pourquoi la fréquence des nettoyages ne peut pas être fixée à l'avance.

Pour déterminer si le tampon de votre humidificateur doit être nettoyé ou remplacé, regarder si les ouvertures dans le tampon sont bouchées par les minéraux.

PRUDENCE : L'accumulation de minéraux endommage les pièces intérieures de votre humidificateur et le processus d'évaporation. Consulter les instructions d'entretien pour savoir comment obtenir des années de performance efficace de votre humidificateur Skuttle à circulation directe.

Nettoyage et remplacement du tampon

ATTENTION : Pour éviter les chocs électriques et les brûlures, débrancher l'appareil avant l'entretien.

1. Fermer l'arrivée d'eau.



2. Retirer le couvercle de l'humidificateur en tournant la vis (située dans le bas du couvercle) dans le sens contraire des aiguilles d'une montre (↺) et retirer le couvercle en l'amenant vers vous.

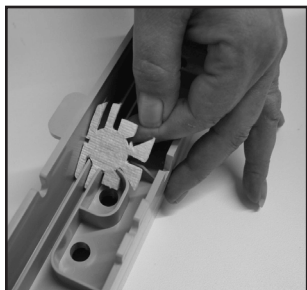


3. Faire basculer vers l'extérieur le plateau de distribution et le tampon d'évaporation.

4. Laver toutes les pièces en plastique et en métal (à l'exception des pièces électriques et des composantes) dans un nettoyeur pour humidificateur ou dans une solution 50% vinaigre et eau.
5. Si nettoyer n'est pas suffisant, remplacer le tampon évaporateur. (Voir remplacement des pièces et service, page 39.)

NOTES IMPORTANTES :

- **Le tampon évaporateur doit être remplacé au moins une fois par année** (ex : à chaque saison nécessitant l'utilisation de l'humidificateur). Si l'accumulation de minéraux est trop importante et que les nettoyages ne sont plus suffisants, remplacer le tampon évaporateur plus souvent.



- **L'humidificateur contient également une mèche qui doit être remplacée en même temps que le tampon évaporateur.** Pour remplacer la mèche, la retirer en la soulevant et la remplacer par la nouvelle mèche fournie avec le tampon évaporateur.

6. Bien retirer tous les dépôts du plateau à eau. S'assurer de bien dégager l'ouverture du drain.

IMPORTANT : À la fin de chaque saison, couper l'arrivée d'eau et nettoyer l'unité.

Conseils pour le propriétaire

- Dans une résidence qui a été très peu ou pas du tout humidifiée, il faut approximativement trois semaines pour atteindre le niveau d'humidité désirée avec votre nouvel humidificateur. Vos meubles, la menuiserie, les tapis, le plâtre et les plantes, ont besoin de temps pour absorber l'humidité perdue.
- Pour éliminer les courants d'air qui permettent à la chaleur et à l'humidité de s'échapper, garder le clapet du foyer fermé lorsqu'il est éteint.
- Si un excès d'humidité apparaît sur les fenêtres et les murs, baisser le réglage de votre hygromètre. Si la situation persiste, fermer la valve d'arrivée de l'eau et appeler un entrepreneur CVAC.

Remplacement des pièces et service

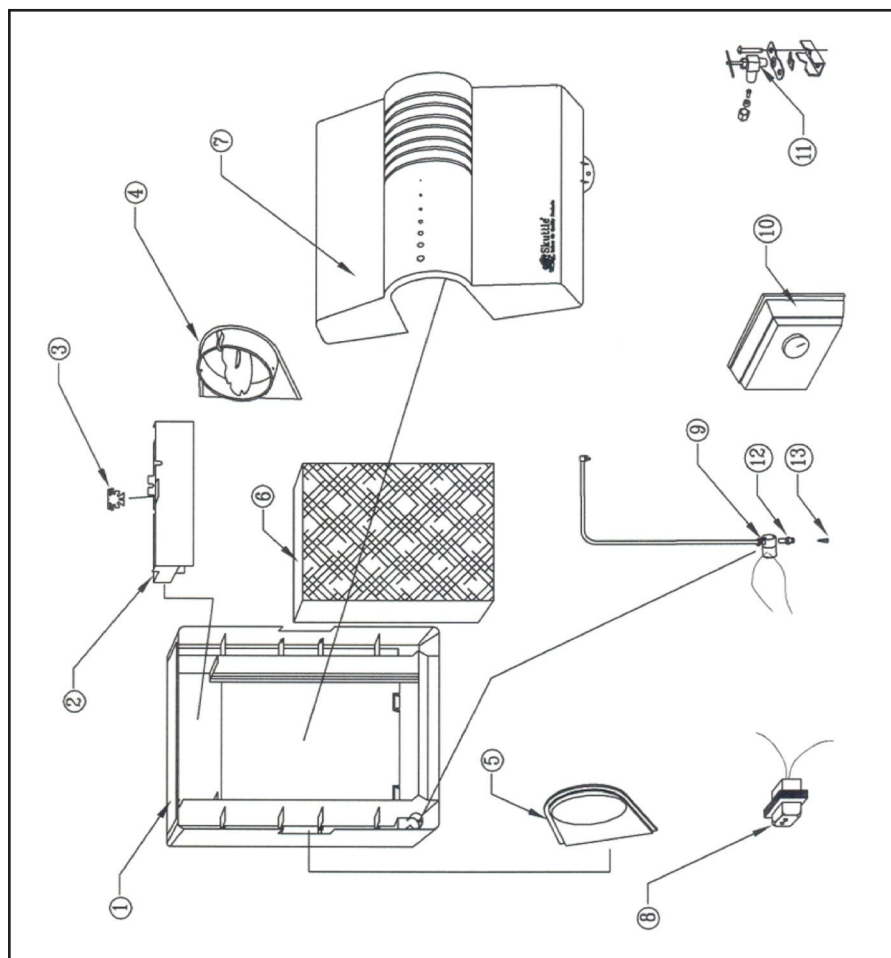
Si vous avez besoin de pièces ou service pour continuer à obtenir une performance supérieure de votre humidificateur, veuillez suivre les étapes suivantes :

- Contacter l'entrepreneur de chauffage et de climatisation qui a installé votre unité. Cette information se trouve généralement sur une étiquette attachée à votre humidificateur ou votre système de chauffage.
- S'il n'y a pas d'étiquette, faites des recherches dans l'annuaire téléphonique ou sur internet sous la rubrique « Entrepreneurs de chauffage et de climatisation ».
- Finalement, en dernier recours, veuillez écrire, appeler ou envoyer un courriel à :

Skuttle Indoor Air Quality Products
101 Margaret Street, Marietta, OH 45750
800-848-9786 (États-Unis seulement) ou 740-373-9169
customerservice@skuttle.com

Voir la liste des pièces et diagrammes de l'humidificateur à circulation directe à partir de la page 40.

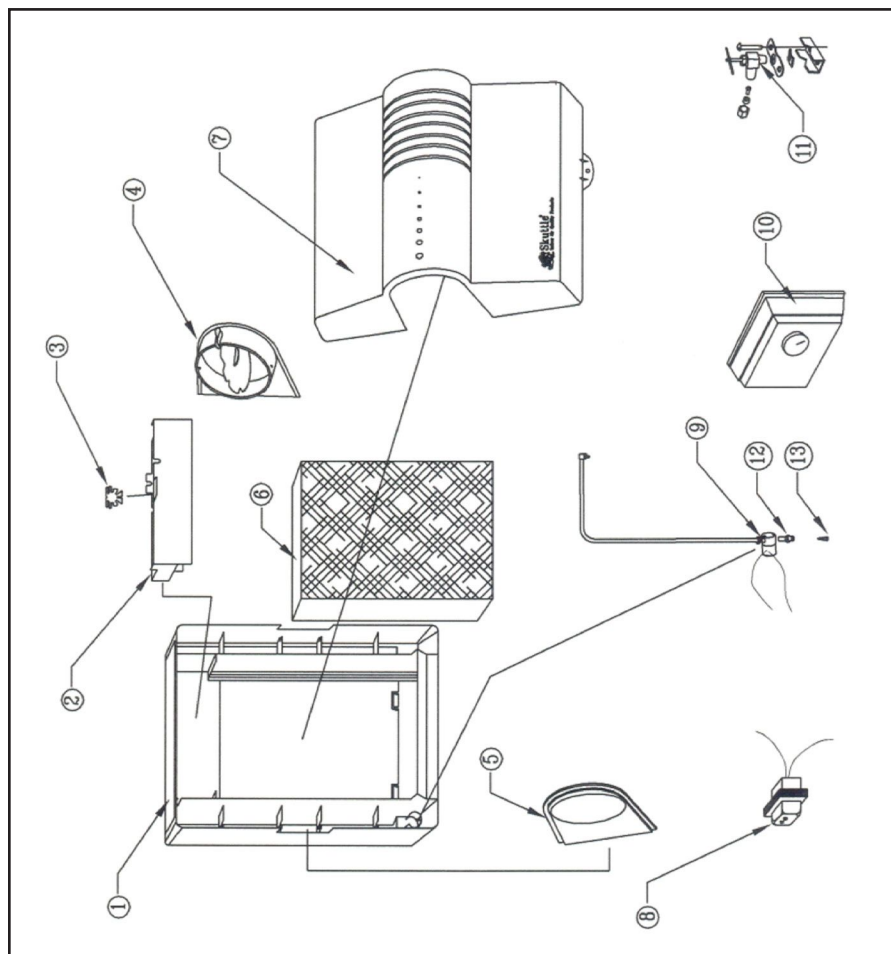
Diagramme des pièces de remplacement pour modèles 2000



Liste des pièces de remplacement pour les modèles 2000

No Réf.	No Pièces	Qtée/ Carton	Description
1	000-1730-094	1	Socle de fixation
2	000-0602-055	1	Bac d'égouttement
3	000-1317-091	1	Mèche
4	A00-1730-124	1	Registre avec plaque de montage
5	000-1730-089	1	Pièce de côté
6	A04-1725-052	12	Tampon évaporateur avec mèche
7	A00-0641-171	1	Couvercle (étiquette, vis et rondelle de re-tenue)
8	000-0814-008	1	Transformateur (24V, 10VA, 120V Primaire)
9	A01-0814-148	1	Solénoïde 24 Volt (trousse universelle)
10	SK0-0055-001	1	Ensemble humidistat pour 2000
11	A00-1128-005	1	Robinet vanne à étrier
12	000-1106-037	1	Raccord avec filtre (#13) et baque de compression
13	000-1319-051	1	Filter de conduit
Non montré	K00-2000-000	1	Trousse de pièces (vis, rondelle de retenue, tube d'apport d'eau, coude en cuivre 90°, languette de retenue et vis)

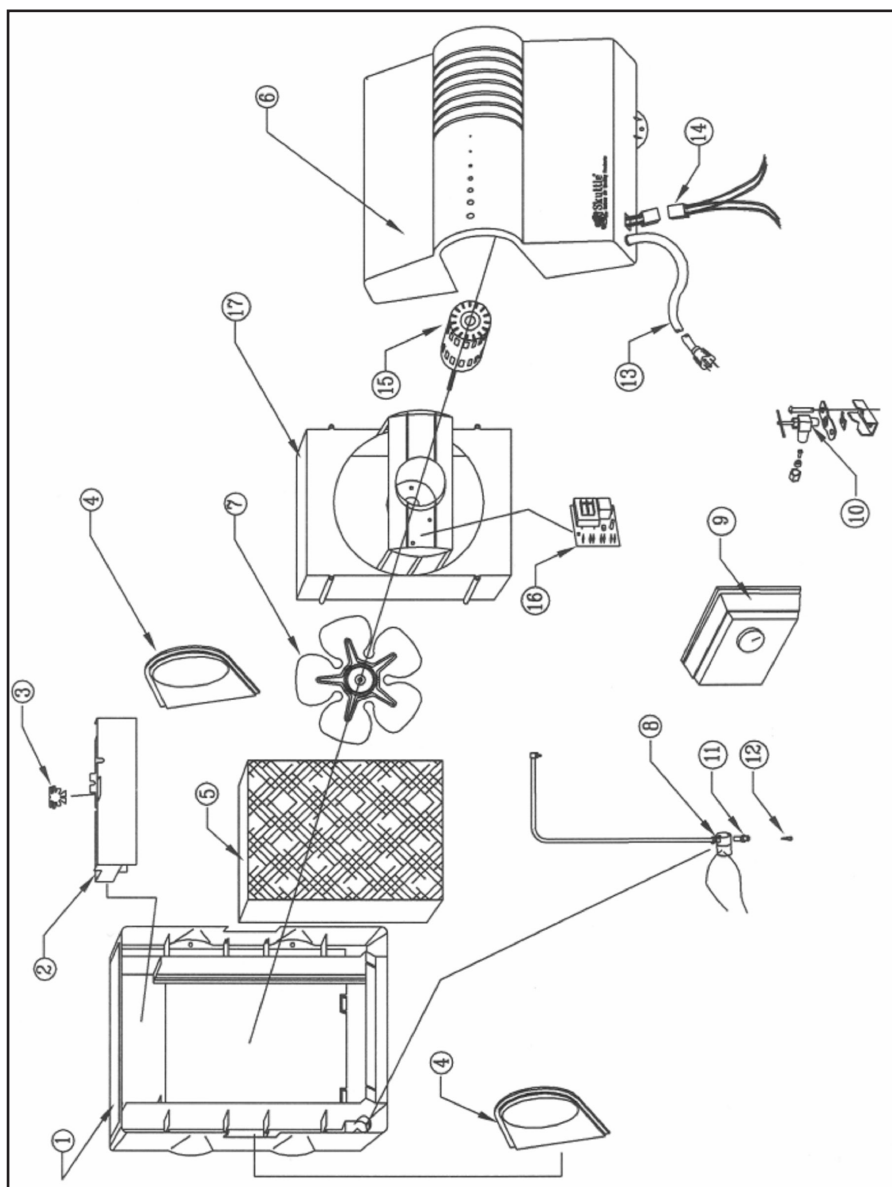
Diagramme des pièces de remplacement pour modèles 2001



Liste des pièces de remplacement pour les modèles 2001

No Réf.	No Pièces	Qtée/ Carton	Description
1	000-1730-091	1	Socle de fixation
2	000-0602-055	1	Bac d'égouttement
3	000-1317-091	1	Mèche
4	A00-1730-124	1	Registre avec plaque de montage
5	000-1730-089	1	Pièce de côté
6	A04-1725-051	12	Tampon évaporateur avec mèche
7	A00-0641-170	1	Couvercle (étiquette, vis et rondelle de retenue)
8	000-0814-008	1	Transformateur (24V, 10VA, 120V Primaire)
9	A01-0814-148	1	Solénoïde 24 Volt (trousse universelle)
10	SK0-0055-001	1	Ensemble humidistat pour 2001
11	A00-1128-005	1	Robinet vanne à étrier
12	000-1106-037	1	Raccord avec filtre (#13) et baque de compression
13	000-1319-051	1	Filtre de conduit
Non montré	K00-2000-000	1	Trousse de pièces (vis, rondelle de retenue, tube d'apport d'eau, coudé en cuivre 90°, languette de retenue et vis)

Diagramme des pièces de remplacement pour modèles 2002



Liste des pièces de remplacement pour les modèles 2002

No Réf.	No Pièces	Qtée/ Carton	Description
1	000-1730-091	1	Socle de fixation
2	000-0602-055	1	Bac d'égouttement
3	000-1317-091	1	Mèche
4	A00-1730-089	1	Pièce de côté
5	A04-1725-051	12	Tampon évaporateur avec mèche
6	A00-0641-169	1	Couvercle (étiquette, vis et rondelle de retenue)
7	000-1318-080	1	Hélice ventilateur 10 po.
8	A01-0814-148	1	Solénoïde 24 Volt (trousse universelle)
9	SK0-0055-001	1	Humidistat manuel pour 2002
10	A00-1128-005	1	Robinet vanne à étrier
11	000-1106-037	1	Raccord avec filtre (#12) et baque de compression
12	000-1319-051	1	Filtre de conduit
13	000-0811-123	1	Câble d'alimentation
14	000-0811-122	1	Ensemble connecteur 2 pièces
15	000-1721-048	1	Moteur du ventilateur
16	000-0431-034	1	Relais isolé
17	000-1730-092	1	Boîtier du ventilateur
Non montré	00-2000-000	1	Trousse de pièces (vis, rondelle de retenue, tube d'apport d'eau, coude en cuivre 90°, languette de retenue et vis)

Garantie limitée pour les produits Skuttle

NOTE: Les modèles 2000, 2001 sont garantis pour 5 ans; les modèles 2002 sont garantis pour un an.

Cette garantie limitée couvre le produit Skuttle tel qu'il est indiqué sur la carte d'enregistrement de la garantie, en excluant le filage, la plomberie et l'installation. La compagnie « Skuttle Manufacturing » (également connue sous le nom de « Skuttle Mfg. Co. and Skuttle Indoor Air Quality Products ») garantit un produit exempt de défaut dans le matériau et la fabrication pour une utilisation normale et non commerciale. Skuttle prendra en charge tout défaut tel que décrit plus haut pour une période de 12 mois à partir de la date d'installation originale qui a été transmise par l'intermédiaire de la carte d'enregistrement, et en fonction des termes et conditions de la garantie limitée décrite ci-après :

1. CETTE GARANTIE LIMITÉE EST OFFERTE PAR SKUTTLE MANUFACTURING COMPAGNIE, 101 MARGARET STREET, MARIETTA, OHIO 45750.
2. Cette garantie pourra être transmise à un autre propriétaire de bâtiment non commercial seulement qui aura acheté ce produit à usage résidentiel sans intention de le revendre.
3. L'exercice de la garantie est conditionnel à l'envoi de la carte d'enregistrement de la garantie. La garantie est valide seulement si la carte d'enregistrement de la garantie dûment complétée a été retournée à Skuttle dans les quinze (15) jours suivants l'installation de l'équipement.
4. Toutes les pièces sont couvertes par la garantie à l'exception des consommables.
5. Si pendant la période de la garantie, ce produit ou une pièce a besoin d'une réparation, celle-ci doit être effectuée par un entrepreneur en chauffage et/ou plombier compétent (de préférence l'entrepreneur qui a fait l'installation). Skuttle ne paiera aucun frais de transport ou de main-d'œuvre pour enlever ou remplacer les pièces défectueuses. Si l'inspection de la pièce établit que le matériau dont elle est composée est bien défectueux, ou qu'elle présente un défaut de fabrication, elle sera soit réparée, soit échangée, sans frais, au gré de Skuttle, et retournée en port dû.
6. Afin de bénéficier de la garantie, le propriétaire doit aviser par écrit le fournisseur ou distributeur de tout défaut dans les trente (30) jours de la découverte. Si, après un délai raisonnable, aucune réponse appropriée n'a été obtenue de la part du fournisseur ou du distributeur, il faut aviser Skuttle Mfg par écrit :

**Skuttle Indoor Air Quality Products
101 Margaret Street
Marietta, OH 45750**

SKUTTLE ACCEPTERA, EN PORT PAYÉ, UNIQUEMENT LES PIÈCES ET LES COMPOSANTES DE CE PRODUIT DÉFECTUEUX.

7. Cette garantie limitée ne s'applique pas à une pièce qui : a été endommagée en transit ou pendant sa manutention ; a été l'objet d'abus, de négligence, ou a été accidentée ; n'a pas été installée, opérée ou réparée selon les instructions de Skuttle ; a été utilisée à un débit plus élevé que celui pour lequel il a été conçu, ou a été transformée pour en modifier la performance. Il n'y a pas de garantie contre la négligence, les modifications et l'usure ordinaire. La responsabilité de Skuttle se limite au remplacement des pièces ou composants défectueux et ne comprend pas le paiement des coûts de main-d'œuvre pour enlever ou remplacer les pièces défectueuses.
8. Skuttle ne sera pas responsable pour les pertes de jouissance d'un produit, les pertes de temps, les désagréments ou tout autre dommage accidentel ou indirect, en ce qui concerne la personne ou la propriété, que ce soit à la suite d'une rupture de contrat, de négligence ou toute autre raison. CERTAINS TERRITOIRES ET PROVINCES NE PERMETTENT PAS L'EXCLUSION OU LA LIMITATION DES DOMMAGES ACCESSOIRES OU INDIRECTS, AUSSI LA LIMITATION DE L'EXCLUSION EXPLIQUÉE DANS LA PHRASE PRÉCÉDENTE POURRAIT NE PAS S'APPLIQUER À VOUS.
9. CETTE GARANTIE VOUS DONNE DES DROITS SPÉCIFIQUES ET VOUS POURRIEZ AVOIR D'AUTRES DROITS QUI VARIENT D'UNE PROVINCE OU TERRITOIRES À L'AUTRE.
10. Tout travail sous garantie sera effectué dans un temps raisonnable, généralement dans les cent vingt jours après que l'usine de Skuttle ait été avisée et ait reçu la pièce. Ce délai pourrait être prolongé pour toute raison hors de contrôle de l'usine.
11. Les garanties de Skuttle relatives à la qualité marchande, la capacité ou l'utilisation, ou toute autre garantie (expresse, implicite ou prévue par la loi), représentation ou garantie différente de celles énoncées dans ce document expirera à la date d'expiration de cette garantie limitée. CERTAINS TERRITOIRES OU PROVINCES NE PERMETTENT PAS DE LIMITATION SUR LA DURÉE D'UNE GARANTIE IMPLICITE, AUSSI LA LIMITATION DÉCRITE DANS LA PHRASE PRÉCÉDENTE POURRAIT NE PAS S'APPLIQUER À VOUS.
12. Skuttle se réserve le droit d'apporter des changements dans le design et les matériaux de ses produits sans être dans l'obligation d'incorporer ces changements dans les unités déjà complétées à la date à laquelle ces changements sont entrés en vigueur ou avant.

Contractor Stamp Here

Sello del contratista

Tampon de l'entrepreneur

Model
Modelo **2000**
Modèle

Model
Modelo **2001**
Modèle

Model
Modelo **2002**
Modèle

Serial No.
No. de fabricación _____
N° de série

Installation Date
Fecha de instalación _____
Date d'installation



Skuttle®

Indoor Air Quality Products

101 Margaret Street • Marietta, OH 45750
800-848-9786 • 740-373-9169
customerservice@skuttle.com • www.skuttle.com