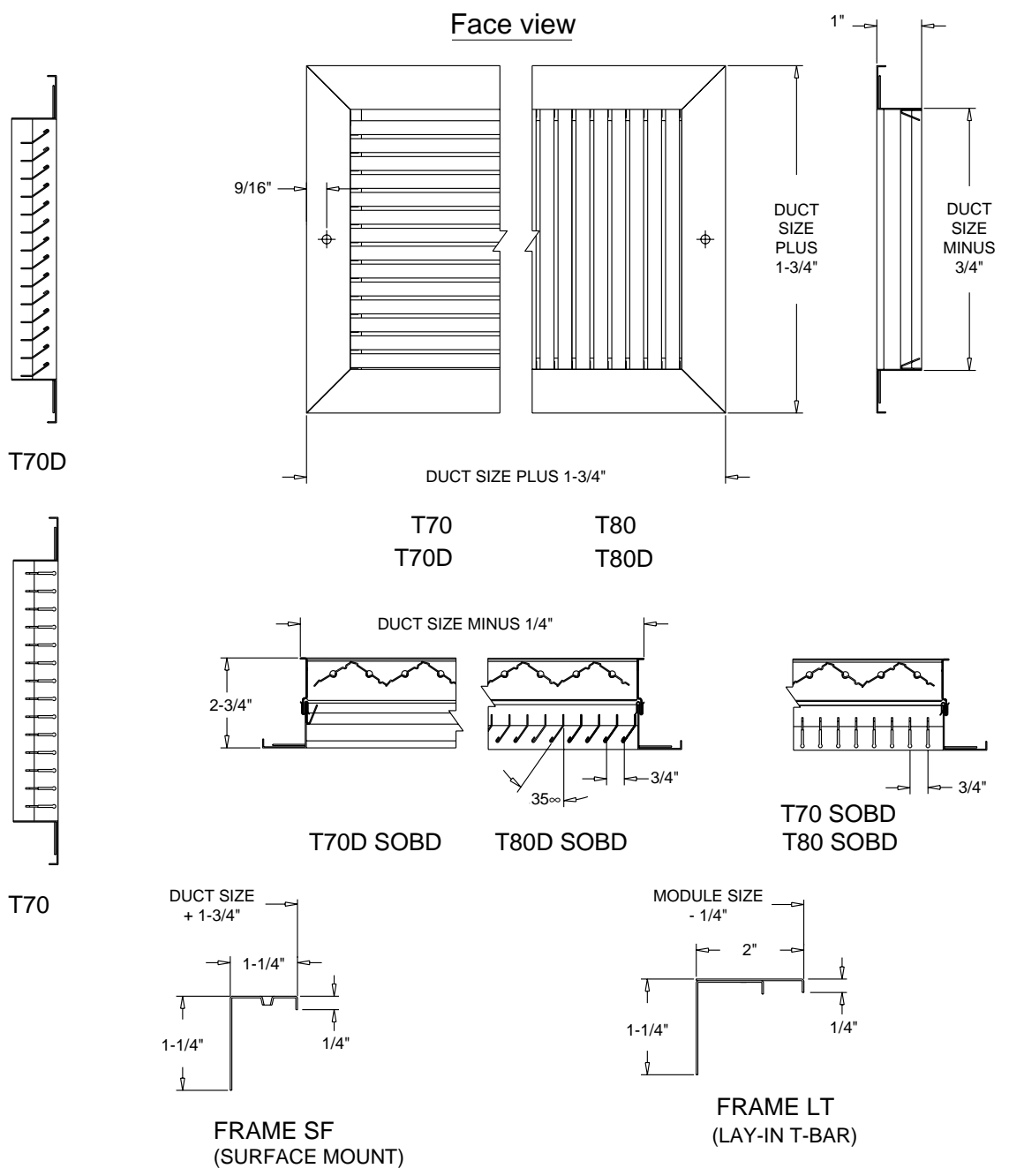


Tuttle & Bailey® SUBMITTAL DRAWING

- Bars spaced on 3/4" centers
- Model T70: horizontal bars, 0° fixed deflection
- Model T80: vertical bars, 0° fixed deflection
- Model T70D: horizontal bars, 35° fixed deflection
- Model T80D: vertical bars, 35° fixed deflection
- Steel construction
- Standard grille finish is white (WH), standard finish for SOBD is mill



Dimensions are in inches. Product information subject to change without notice.

JOB NAME: _____	SUBMITTED BY: _____	DATE: 8-1-00	SD-1324.1
LOCATION: _____		T70 & T80	
ARCHITECT: _____		Fixed Bar Return Grilles & Registers	
ENGINEER: _____		3/4" Bar Spacing	
CONTRACTOR: _____			