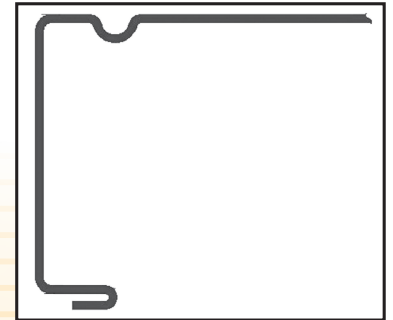


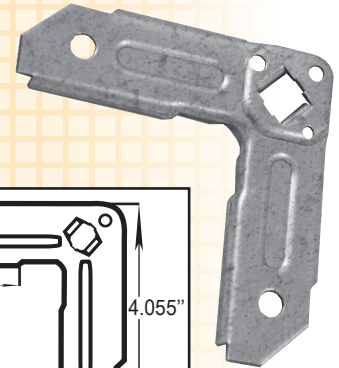
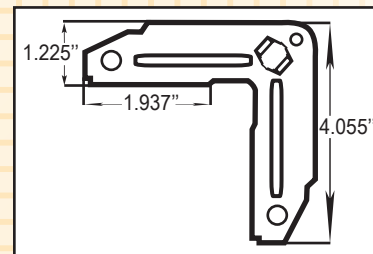
Transverse Duct Connection Systems (TDC) are produced by shops using flange forming machines. Like standard flange systems, they are designed to strengthen the duct wall. Dyn-O-Mate TDC Corners assist with the duct strengthening and connecting the duct sections together. All Dyn-O-Mate TDC Corners are a skid qty of 48 boxes except part #21245 Cornermatics which are 64 Boxes.



TDC CORNERS

- TDC corners are designed for manual insertion on TDC connections.
- Manufactured of 16 gauge steel
- Specialty metal gauges may vary
- Nuts and Bolts are sold separately.

Item #	Code	Description	Packaging
21254	DOMC	TDC Corner	250/Box
21280	DDC-SS	TDC Stainless Steel Corner 300 Series	250/Box
21281	DDC-AL	TDC Aluminum Corner	250/Box
21284	DDC-316SS	TDC Stainless Steel Corner 316 Series	250/Box

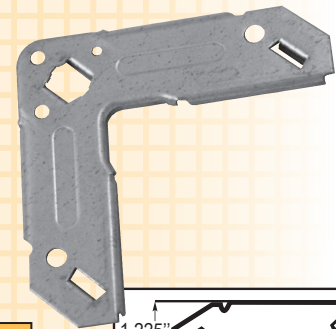
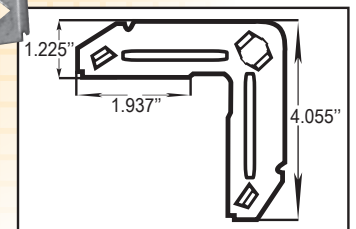


TDC STACKABLE CORNERS

- Stackable TDC corners are for use in corner insertion machines
- Manufactured from 16-gauge steel
- Specialty metal gauges may vary
- TDC corners are designed for use on TDC connections
- Available to ship as Stacked or Unstacked

Item #	Code	Description	Packaging
21020	TDCS	Stackable TDC Corner	250/Box
21022	TDCUS	Unstacked Stackable TDC Corner*	250/Box
21265	DDCS-AL	Stackable TDC Cornermatic™ Corner - Aluminum	250/Box

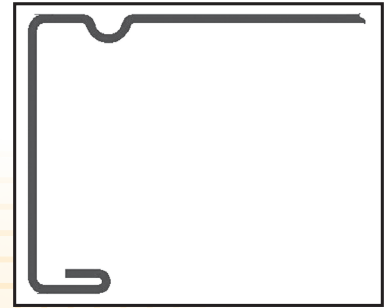
*20122 stackables are packed unstacked for manual insertion.



See reverse side for information on TDF Corners.

Duro Dyne Corporate Headquarters, Bay Shore, NY
631-249-9000 • Fax: 631-249-8346
Duro Dyne Midwest • Duro Dyne West • Duro Dyne Canada
www.durodyne.com • E-mail: durodyne@durodyne.com

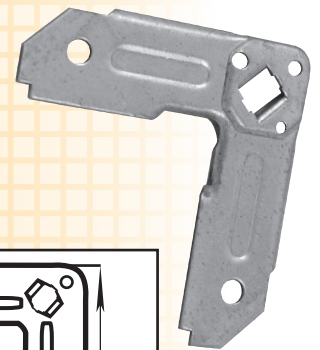
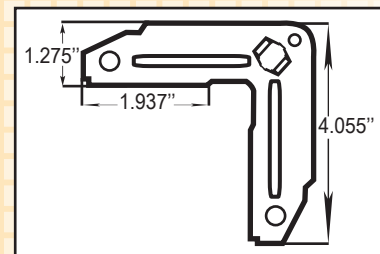
Transverse Duct Flange Systems (TDF) are produced by shops using flange forming machines. Like standard flange systems, they're designed to strengthen the duct wall. Dyn-O-Mate TDF Corners assist with the duct strengthening and connecting the duct sections together. All Dyn-O-Mate TDF Corners are a skid qty of 48 boxes except part #21246 Cornermatics which are 64 Boxes.



TDF CORNERS

- TDF corners are designed for manual insertion on TDF connections.
- Manufactured from 16-gauge steel.
- Specialty metal gauges may vary.
- Nuts and Bolts are sold separately.

Item #	Code	Description	Packaging
21255	DOMF	TDF Corner	250/Box
21282	DDF-SS	TDF Stainless Steel Corner 300 Series	250/Box
21283	DDF-AL	TDF Aluminum Corner	250/Box
21285	DDF-316SS	TDF Stainless Steel Corner 316 Series	250/Box

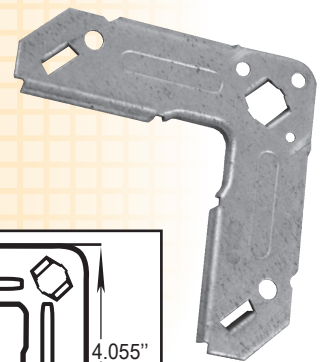
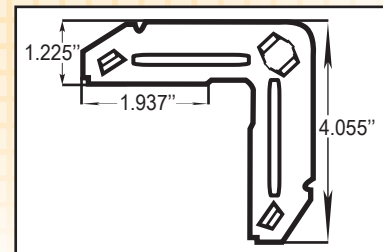


TDF STACKABLE CORNERS

- Stackable TDF corners are for use in corner insertion machines
- Manufactured from 16-gauge steel. Specialty metal gauges may vary.
- TDF corners are designed for use on TDF connections.
- Available to ship as Stacked or Unstacked
- Nuts and Bolts are sold separately

Item #	Code	Description	Packaging
21021	TDFS	Stackable TDF Corner	250/Box
21023	TDFUS	Unstacked Stackable TDF Corner*	250/Box

*20123 stackables are packed unstacked for manual insertion.



See reverse side for information on TDC Corners.

Duro Dyne Corporate Headquarters, Bay Shore, NY
631-249-9000 • Fax: 631-249-8346
Duro Dyne Midwest • Duro Dyne West • Duro Dyne Canada
www.durodyne.com • E-mail: durodyne@durodyne.com