

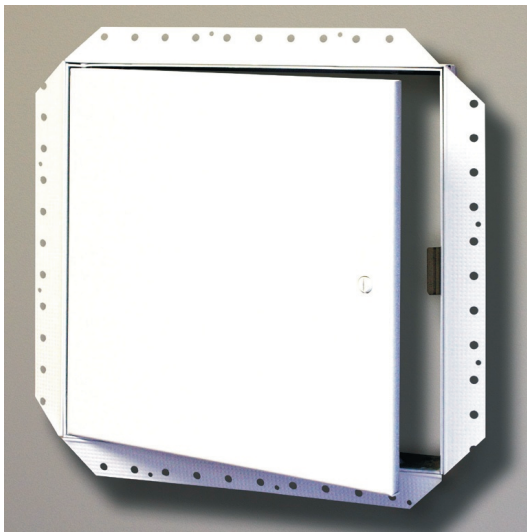
Location: _____



MDW

DRYWALL BEAD ACCESS DOOR

Specification: MIFAB Series MDW access door is designed for installation after the drywall has been applied and when a concealed outer flange is required. The outer frame has a galvanized drywall taping bead. Drywall cement can be applied over the beading at the same time as the wallboard joints and corners. Only the door is visible. It has a unique white finish.



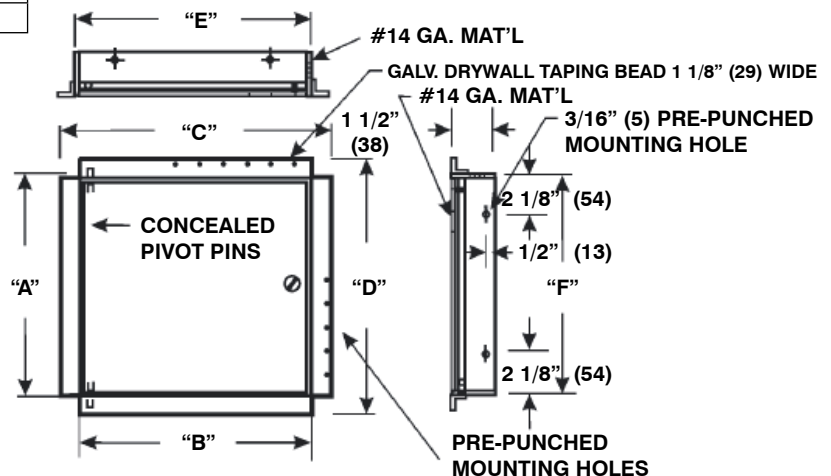
Material: MDW Series is 16 gage satin coat steel door and 16 gage satin coat steel frame. The MDWSS Stainless Steel Series is 16 gage #304 stainless steel door and frame.
Finish: Satin coat steel doors have a primed white finish. Stainless steel doors have a #4 brush satin finish.
Door: Flush to frame. Turned back around edges for extra rigidity.
Frame: Drywall taping bead on all sides.
Hinge: Concealed pivot pins.
Latch: Standard - Flush mounted, screwdriver operated cam. Optional - Allen key, cylinder key, paddle latch, or vandal resistant latch. All of MIFAB's cylinder key locks are keyed alike.
Packaging: Individual pack.

SUFFIX OPTIONAL VARIATIONS

- A Allen key lock
- BA Buy American Act compliant product
- C Cylinder key lock
- PA Pennsylvania Steel Act compliant product
- PL Paddle latch
- VP Vandal resistant hardware (VP Screwdriver included)
- WR Water Resistant

"B" x "A"	WALL OPENING	SHIP WEIGHT (Lbs.)	LATCHES	MILD STEEL MODEL #	STAINLESS STEEL MODEL #
8" x 8"	8-3/8" x 8-3/8"	3.5	1	MDW0808	MDWSS0808
10" x 10"	10-3/8" x 10-3/8"	4.5	1	MDW1010	MDWSS1010
12" x 12"	12-3/8" x 12-3/8"	6.0	1	MDW1212	MDWSS1212
14" x 14"	14-3/8" x 14-3/8"	7.0	1	MDW1414	MDWSS1414
16" x 16"	16-3/8" x 16-3/8"	8.0	1	MDW1616	MDWSS1616
18" x 18"	18-3/8" x 18-3/8"	12.0	3	MDW1818	MDWSS1818
22" x 22"	22-3/8" x 22-3/8"	14.0	3	MDW2222	MDWSS2222
24" x 24"	24-3/8" x 24-3/8"	17.5	3	MDW2424	MDWSS2424
24" x 36"	24-3/8" x 36-3/8"	21.0	5	MDW2436	MDWSS2436
30" x 30"	30-3/8" x 30-3/8"	22.0	5	MDW3030	MDWSS3030
36" x 36"	36-3/8" x 36-3/8"	32.0	5	MDW3636	MDWSS3636

A-B Door Size
C-D Overall Dimensions - Door Size - Plus 2 1/4" (57)
E-F Wall Opening - Door Size - Plus 1/2" (13)



(Dimension) Denotes Millimetres

Note: The hinge is always furnished on the "A" or height (longer) dimension, unless otherwise specified.

Job Name: _____	Page No: _____
Section No: _____	Contract: _____
Schedule No: _____	Purchase Order No: _____