



COMMERCIAL FABRICATION DIVISION

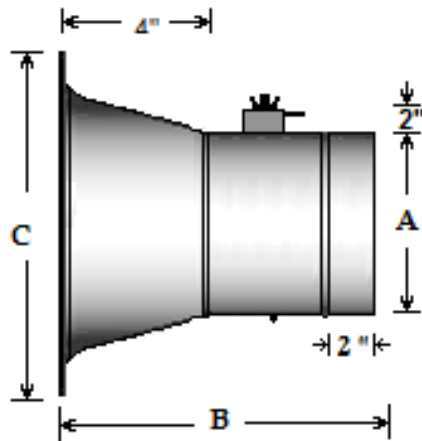
www.herculesindustries.com

5050 Florence St. Denver Colorado 80238

Tel. 303 388-8999 Fax. 303 388-8301

Toll Free. 1 800 870-4305

Gasketed Bellmouth Take-Off Fitting with Damper & Stand-Off Model Series SO2ATD9000



• Features •

- ✓ Bellmouth shape allows for greater air flow
- ✓ 1" flange with fire retardant gasket and adhesive backing for quick installation
- ✓ Makes air tight connection and saves labor time
- ✓ Position of handle indicates damper setting
- ✓ 3/8" Square End Bearings
- ✓ 2" Stand-Off with **DURO-TWIST™ REGULATOR**
- ✓ Spin In constructed of **26 Ga. Galvanized Steel ASTM-A653-00**
- ✓ SMACNA Standards

Order Size (A)	Length (B)	Flange (C)
6"	10"	10"
8"	12"	12"
10"	14"	14"
12"	16"	16"
14"	16"	18"
16"	16"	20"

* All gauges and reinforcements are in compliance with 2005 SMACNA standards for duct fabrication.

