



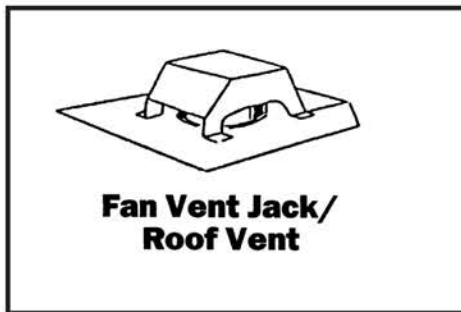
Hercules
INDUSTRIES
Commercial Fabrication Division

Fan Vent Jacks & Exhaust Fan Vents For Tile Roof

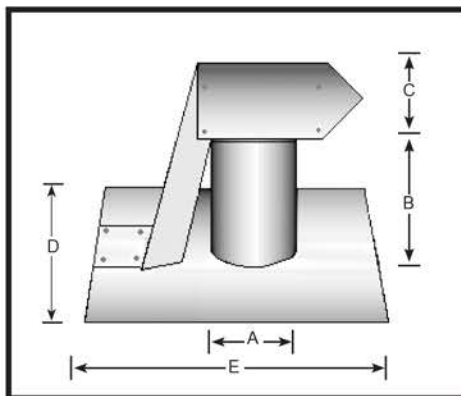


Our galvanized fan vents for tile roofs, comes with an internal screen around the top of the cylinder. Body constructed of 28 Ga. Galvanized Steel ASTM-A653-00 SMACNA Standards

- All gauges and reinforcements are in compliance with 2005 SMACNA standards for duct fabrication.



SIZE	PROD #	WT / EA
4" Fan Vent	4FV	2
6" Fan Vent	6RV	3.8



	4FVT	6FVT
A:	4"	6"
B:	5-3/8"	2"
C:	3-7/8"	2"
D:	13"	15"
E:	18"	21-1/2"



1-800-870-4305



WWW.HERCULESINDUSTRIES.COM